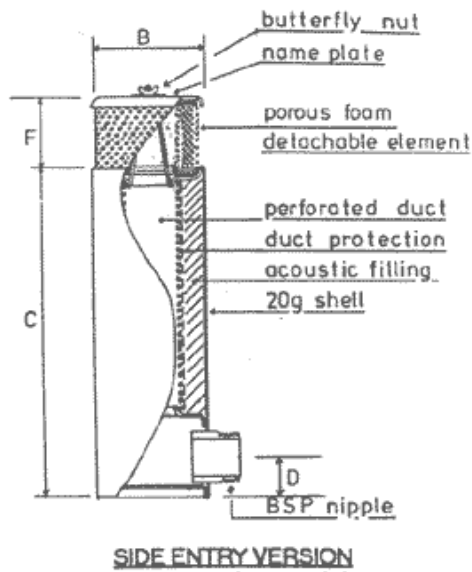


# SAFS Air Filter Silencers

If you have any questions relating to this or any of our products, please do not hesitate to contact us.

## General Specification



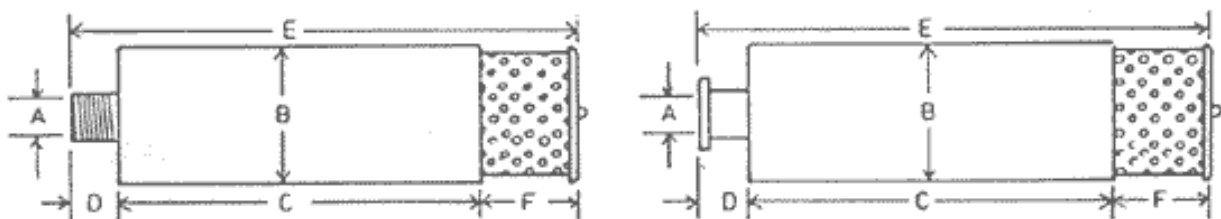
These air filters are suitable for installing on the air intakes of air compressors and air blowers. Three types of filter can be supplied. The dimensions in each case are the same and the elements are interchangeable.

## Type SAFS-F

A polyurethane foam element. This easily cleaned porous foam element has a high dust retention capacity and gravimetric efficiency of 96-99% with BS Test Dust No. 2.

## End Connectors

Screwed BSP connectors are fitted to sizes 6 - 76mm nominal bore (1/4" - 3") and flanges to BS10 Table D on all larger sizes. Different types of flanges or end connectors can be supplied on special quotation.



UAI - SERVAIS SILENCERS, FORDHOUSE ROAD, BUSBURY, WOLVERHAMTON WV10 9DZ  
Telephone: +44 (0) 1902 307799 Fax: +44 (0) 1902 721026

# SAFS Air Filter Silencers

Nominal Bore (A)	Diameter (B)	Length (C)	(D)	(E)	(F)	Capacity Free Air m <sup>3</sup> /min
6 (¼")	76 (3")	102 (4")	13	149	35	0 - 0.08
10 (3/8")	76 (3")	102 (4")	13	149	35	0 - 0.08
13 (½")	76 (3")	152 (6")	19	206	35	0.08 - 0.17
19 (¾")	76 (3")	152 (6")	19	206	35	0.17 - 0.33
25 (1")	95 (3¾")	229 (9")	19	333	86	0.33 - 0.60
32 (1¼")	121 (4¾")	254 (10")	25	365	86	0.60 - 0.8
38 (1½")	121 (4¾")	305 (12")	32	422	86	0.8 - 1.4
51 (2")	140 (5½")	406 (16")	38	530	86	1.4 - 2.4
64 (2½")	140 (5½")	406 (16")	44	536	86	2.4 - 3.8
76 (3")	178 (7")	457 (18")	48	641	137	3.8 - 5.4
89 (3½")	178 (7")	457 (18")	51	644	137	5.4 - 7.1
102 (4")	203 (6")	610 (24")	51	822	162	7.1 - 10
127 (5")	254 (10")	610 (24")	51	847	187	10 - 15
152 (6")	279 (11")	762 (30")	76	1067	227	15 - 22
178 (7")	356 (14")	914 (36")	76	1280	289	22 - 30
203 (8")	406 (16")	914 (36")	76	1336	346	30 - 40
229 (9")	457 (18")	914 (36")	76	1483	492	40 - 50
254 (10")	508 (20")	1067 (42")	76	1635	492	50 - 60

Note (i) all dimensions in millimetres

If you have any questions relating to this or any of our products, please do not hesitate to contact us.

UAI - SERVAIS SILENCERS, FORDHOUSE ROAD, BUSBURY, WOLVERHAMPTON WV10 9DZ  
Telephone: +44 (0) 1902 307799 Fax: +44 (0) 1902 721026

[www.servais.co.uk](http://www.servais.co.uk)